

Infinity®

RS Video

**High Performance Loudspeaker
for Center Channel or Surround Sound**

**OWNER'S MANUAL
NOTICE D' EMPLOI**

INTRODUCTION

FOR CENTER CHANNEL OR SURROUND SOUND...

The Infinity RS Video Speaker is a high performance center channel or surround sound loudspeaker, which also functions as an ideal rear channel or side channel speaker. When used as part of an audio/video home entertainment system, the RS Video Speaker will provide you with a panorama of sound and depth to recreate accurately the cinema experience in your home. Whether you are installing a brand new, state-of-the-art audio/video home entertainment system or upgrading your current system, you have purchased the ideal component that will provide countless years of listening enjoyment.

MATCHED COMPONENTS...

The Infinity RS Video Speaker reproduces sound from specific home theater channels – center or surround – via a matched array of components for maximum performance. The dual IMG™ Injection Molded Graphite Woofers reproduce low frequencies with accurate timbre and dynamic impact, and a Ferrofluid cooled Polycell tweeter reproduces all higher frequencies with excellent dispersion and low distortion.

UNPACKING

1. Carefully unpack the speaker. If you suspect damage from transit, report it immediately to your dealer and/or delivery service. Keep the shipping carton and packing materials for future use.
2. Verify that the package includes the following items:
 - RS Video Speaker and Grille Assembly
 - Four Self-Adhesive Rubber Feet

PLANNING YOUR SYSTEM

The Infinity RS Video Speaker is a specific component for your home entertainment system. Depending on the application, the speaker can be used as a dedicated center channel, rear, or side-effects speaker in a home entertainment audio/video system.

To help plan your system, study this drawing to help determine the placement that best suits your needs.

FIGURE 1. In this overhead view of a typical home entertainment system the RS Video Speaker is used for the front center channel, two RS 625 full range speakers are used for the front left/right channels, and two RS 325 full-range speakers are used for rear surround channels.

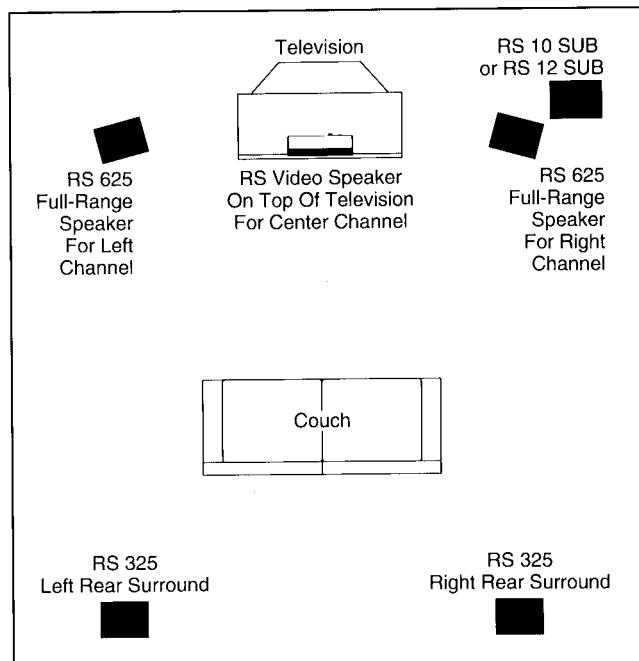
RS 10 SUB or RS 12 SUB Powered Subwoofers (in a corner) reproduce low bass. Existing full-range speakers may be substituted for the front left/right channels.

VERSATILE DESIGN...

The contoured cabinet is both beautiful and versatile. It can be positioned upright or on its side, on a shelf, or in a corner. The enclosure is magnetically shielded, so you can place an Infinity RS Video Speaker on or next to a television without causing distortion of the picture. For wall or ceiling installations, threaded inserts allow you to fasten an optional OmniMount® Systems Mounting Bracket easily on the back of the Infinity RS Video Speaker. For center channel applications, an Angle Adjustment Bar allows you to aim critical center channel sound precisely at your viewing audience.

ABOUT THIS MANUAL...

Please read the remaining pages before connecting and operating the Infinity RS Video Speaker. Maximum performance is dependent on following the instructions given for a particular application, as well as those listed in the owner's manuals of associated components in your system. Save these instructions for future reference. The Infinity RS Video Speaker has a limited five year warranty, so save the bill of sale to protect your purchase and aid in any service related questions.



PLACEMENT

CENTER PLACEMENT

For center channel applications (refer to Figure 1), place the RS Video Speaker on top of a television. Make sure the speaker faces toward the viewing audience. Or, the speaker can also be mounted on a wall or ceiling above or beside the television using an optional OmniMount Systems Mounting Bracket. For high-end home theater systems, two speakers may be utilized, placing one on top and one below the television or one on either side of the unit to create precise center channel localization.

Install Rubber Feet

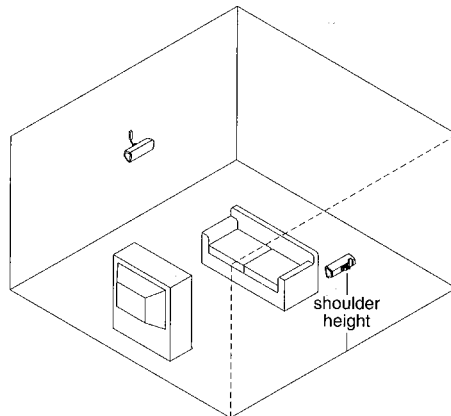
Rubber feet (packed separately) are included for placing speakers on furniture. After selecting a placement location, install self-adhesive rubber feet in each corner of the bottom side of the Infinity RS Video Speaker.

Set Adjustment Bar

When placing a speaker on top of a television, locate the Adjustment Bar (on the rear of the speaker) and adjust it so the speaker array fires directly at the audience, as shown in Figure 2. This will ensure that center channel sound accurately reaches the audience. To prevent an accidental fall, keep the speaker at least one inch back from the front edge of the set.

FIGURE 3.

For side channel applications, place the RS Video Speakers above shoulder height and slightly forward of the seated audience. Tilt the speakers down to direct the sound at listeners.



REAR PLACEMENT

For rear channel applications, place a pair of RS Video Speakers behind and above either side of the viewing audience (see Figure 1). The idea is to create a diffuse soundfield that enhances sound coming from the front channels. Experiment with different placement to find the most pleasing effect. Use speaker stands, or for wall or ceiling installations, obtain OmniMount Systems Mounting Brackets that attach via convenient threaded inserts on the back of each cabinet, as shown in Figure 4. Be certain the brackets are fastened to a stud where they cannot pull loose from the wall. Use heavy duty screws with long threads so there is an adequate number of threads holding the bracket to the wall. Test the mounting thoroughly before installing the speaker to the bracket. See your authorized Infinity dealer, or contact the Infinity Customer Service Department at (818) 407-0228 for further information on the availability of these brackets (Model 75WA for wall mounting, Model 75CA for ceiling mounting).

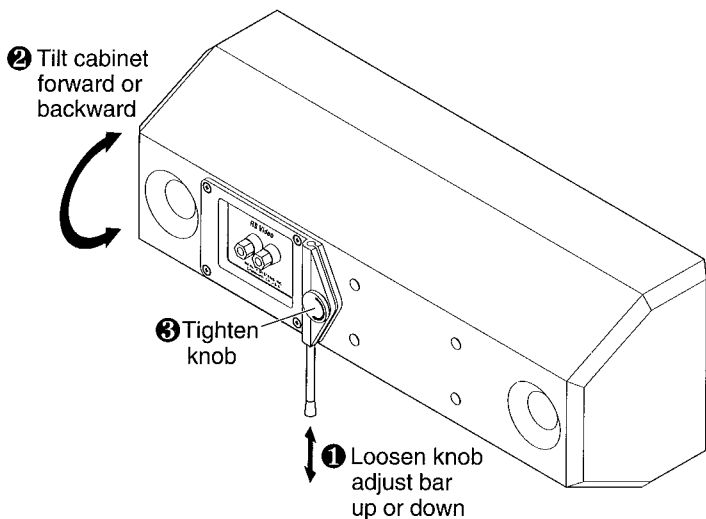
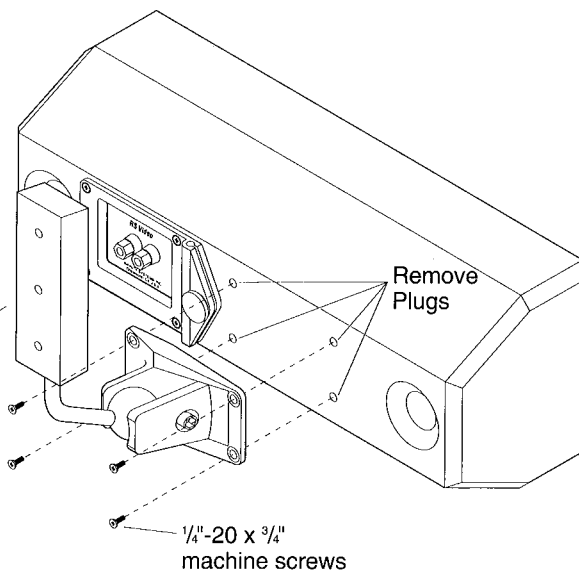


FIGURE 2. When using an RS Video Speaker for center channel reproduction, position the Adjustment Bar so the speaker array fires directly at the audience.

Optional OmniMount Systems Mounting Bracket (Model 75WA for wall mounting, Model 75CA for ceiling mounting – see your authorized Infinity dealer)



SIDE PLACEMENT

For side channel applications, place a pair of RS Video Speakers on either side of the listener. To optimize the “wrap-around” effect of Surround Sound, position the speakers horizontally above and slightly forward of the listener and angled down to direct the sound coming from above, as shown in Figure 3. You may place the speakers on furniture or shelves, but please remember, for optimal results position them at or above shoulder height while sitting.

FIGURE 4. The RS Video Speaker has four embedded screw thread inserts for easy wall or ceiling mounting via an OmniMount Systems Mounting Bracket (see your dealer). Follow the instructions packed with the OmniMount product to install each assembly correctly and make sure only wall studs or ceiling joists are used as mounting locations.

WIRING THE SYSTEM

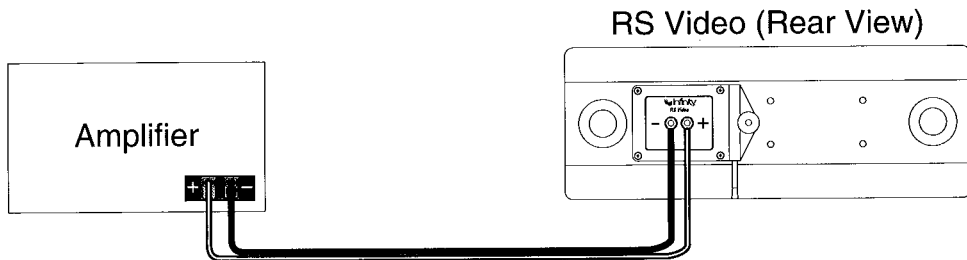
After placing the speakers, you are ready to wire your system. First turn off all audio system power. Use high quality speaker wire to make your connections. Consult the owner's manuals that were included with your amplifier, receiver, or television to confirm connection procedures.

The RS Video Speaker has gold plated terminals that accept a variety of wire connectors. Observe polarities when making

speaker connections, as shown in Figure 5. Connect each + terminal on the back of the amplifier, receiver, or television to the respective + (red) terminal on each RS Video Speaker. Similarly, connect the - (black) terminal in the same way.

Do not reverse polarities (i.e., + to - or - to +) when making connections. Doing so will cause poor imaging and diminished bass response.

FIGURE 5. Observe polarity markings when connecting an RS Video Speaker to an amplifier or receiver.



SPECIFICATIONS

Frequency Response.....100 Hz - 25 KHz \pm 3dB
Crossover Frequency.....2200 Hz
Sensitivity.....89dB @ 2.8v, 1 meter
Nominal Impedance.....8 Ohms
Power Rating.....20-150 watts RMS into 8 Ohms

Driver Complement1" Ferrofluid Cooled Polycell Tweeter
(2) 5 1/4" IMG Woofers
Cabinet Finish.....West Hills Oak or Black Ash
Cabinet Dimensions.....18 3/4" wide x 7" high x 5 3/4" deep

LIMITED WARRANTY

WHO IS PROTECTED BY THE WARRANTY?

Your Infinity warranty protects the original retail purchaser and all subsequent owners for a period of five (5) years (parts and labor) from any failure as a result of an original manufacturing defect so long as: (1) your Infinity loudspeaker was purchased within the fifty United States or by military personnel from an authorized military outlet, and (2) the original dated bill of sale is presented whenever service is required during the warranty period. This warranty does not apply to products purchased elsewhere; other purchasers should contact their local Infinity distributor for warranty information.

WHAT DOES THE INFINITY WARRANTY COVER?

Except as specified below, this warranty covers all defects in original materials and workmanship. The following are not covered: damage caused by accident, misuse, abuse, neglect, product modification; damage occurring during shipment; damage caused by failure to follow instructions in the owner's manual, including failure to perform recommended periodic or routine maintenance; damage resulting from repairs by someone not authorized by Infinity; claims based upon any misrepresentations by the seller; and any Infinity product on which the serial number has been altered, defaced or removed.

WHO PAYS FOR WHAT?

During the period of warranty, subject to the above conditions, Infinity will pay all of the labor and material expenses to repair a warrantable defect.

HOW CAN WARRANTY SERVICE BE OBTAINED?

In the event that your Infinity loudspeaker would require service, you should first contact the Infinity dealer from whom the product was purchased or, if this is not practical, contact Infinity directly (ATTN: Customer Service) at 9409 Owensmouth Avenue, Chatsworth, CA 91311; (818) 407-0228; FAX (818) 709-7496. We may direct you to an authorized service center for Infinity products or ask you to

send them to us for repair. In either case, you must present your original dated bill-of-sale to establish warranty coverage. *Do not send your speaker to us without prior authorization from our Customer Service Department.*

You are responsible for transporting your product to either Infinity or an authorized service center and for payment of all shipping charges; however, Infinity will pay the return shipping charges (in the event you return the product to us) if the repairs are covered by warranty. If you experience difficulty in transporting your product or are in need of packing materials, please advise us and we may be able to suggest alternative procedures and/or provide adequate packing materials.

LIMITATION OF IMPLIED WARRANTIES:

All implied warranties, including fitness for a particular purpose and merchantability are limited in duration and length to the warranty period for your product.

LIMITATION OF INCIDENTAL OR CONSEQUENTIAL DAMAGES:

Infinity is not responsible for any incidental or consequential damage of any kind. Our liability is limited to the repair or replacement, at our option, of a defective product.

Some states do not allow limitations on how long an implied warranty lasts and/or do not allow the exclusion of incidental or consequential damage, so the above limitations or exclusions may not apply to you.

This warranty gives you specific legal rights and you may also have other rights which vary from state to state.

NOTE: In the event that there is a difference between this warranty and the provisions in any advertisements, product brochures or packaging cartons, the terms of this warranty will prevail.